

WHAT IS A RAISED CURVED RIDGE?

Briarwood Products has exclusively designed the raised curved ridge to provide maximum ventilation into a livestock building. The design facilitates the Venturi airflow effect, as the fresh flow of cool air enters the building directly where warm, moist, stale air can accumulate and provide a breeding ground for harmful bacteria if left unvented.

BENEFITS OF THE RAISED CURVED RIDGE:

- The raised curved ridge is an advantageous alternative to using an open protected ridge system, as it allows beneficial airflow, whilst protecting against risk of direct rainfall entering the ridge detail or livestock building itself. The curved ridge acts as an 'umbrella' shielding the building from direct rain whilst efficiently allowing fresh air flow.
- The system is flexible, and the airflow can be adjusted to suit all building sizes by the height of the ridge.
- The raised curved ridge is reinforced with strategically placed polypropylene strips which are fully integrated along the length of each corrugation. They have also been manufactured under ISO9002 and fully covered by CE certificate.
- Available in full colour range and finishes



RECOMMENDED FIXING PROCEDURE

Two fixings per sheet in each purlin are required, these should be fixed through the first full corrugation next to side lap detail.

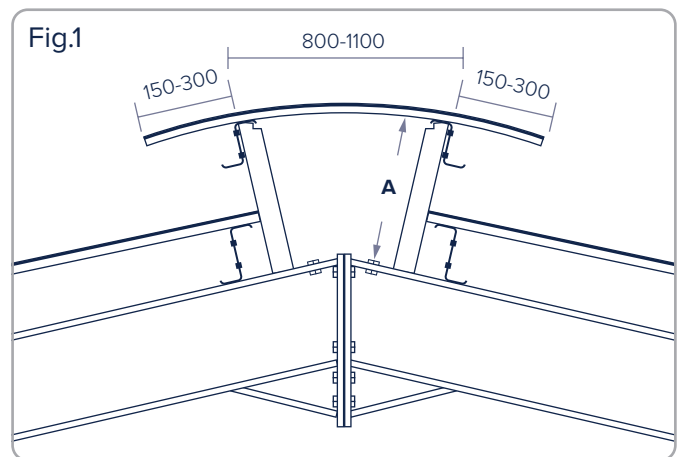
If the curved raised ridge run exceeds 45m movement joints will be required, as per standard recommendations.

In locations where the wind section forces are likely to exceed 2,000N/sq.m or the length of the roof slope exceeds 30m, please refer to current building regulations and procedures.

Please always follow Briarwood Products essential information regarding storage, handling, health and safety guidelines and fixing procedures.

N.B The raised curved ridge profile will not match EUROSIX profile sheets and are not suitable for Dutch Barns.

A full range of alternative ventilation systems are available from Briarwood products so please contact our specialist team sales@briarwoodproducts.co.uk if you require assistance.



Technical Specifications:

In Fig.1, **A** illustrates where the raised measurement will be dependent on the design and ventilation requirement of building.

The raised curved ridge is reinforced with strategically placed polypropylene strips which are fully integrated along the length of each corrugation. They have also been manufactured under ISO9002 and fully covered by CE certificate.

Girth	1400mm
Maximum unsupported overhang	300mm
Weight	23.5kg per linear metre of ridge
Radius	3000mm

